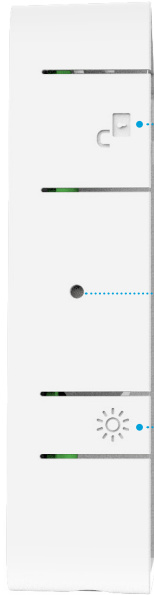




P2414

FiberTwist-Series
Installation Guide

Button overview



Unlock button

Remove FiberTwist or Blind Cover – press and hold while twisting counterclockwise

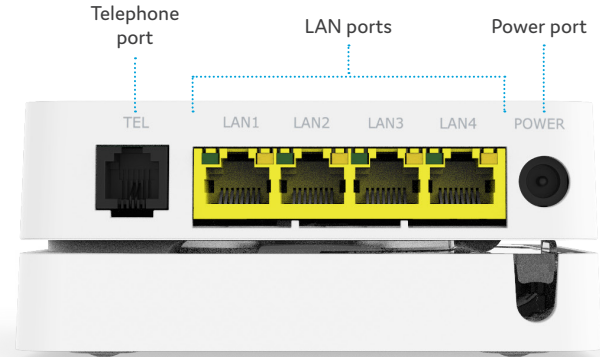
Reset button (recessed)

Reset – press and release

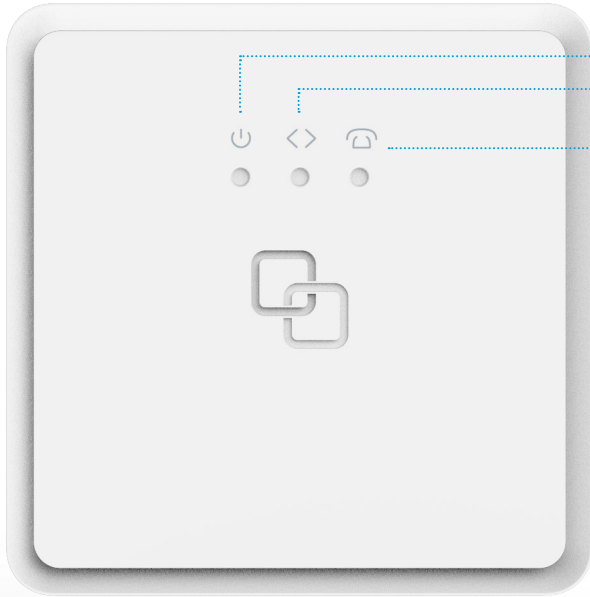
LED dim button

Dim LEDs – press and release to dim LEDs in steps

Port overview



LED overview



System

- Green – system ok
- Green (blinking) – booting
- Red – system error
- Red (blinking) – insufficient optical signal
- Off – power off

Uplink

- Green – link ok
- Green (blinking) – link ok, no remote management
- Off – no link

Phone

- Green – voice service registered and ok
- Green (blinking) – voice service unregistered
- Off – voice service disabled

Installation guide

Different language versions of this document and additional product information are available on <https://genexis.eu/product/fibertwist/downloads>

Box contents

- Genexis FiberTwist (active device)
- Power adapter
- Label (self-adhesive)
- Installation Guide (this document)

Label position

The product label is positioned on the back of the active device.

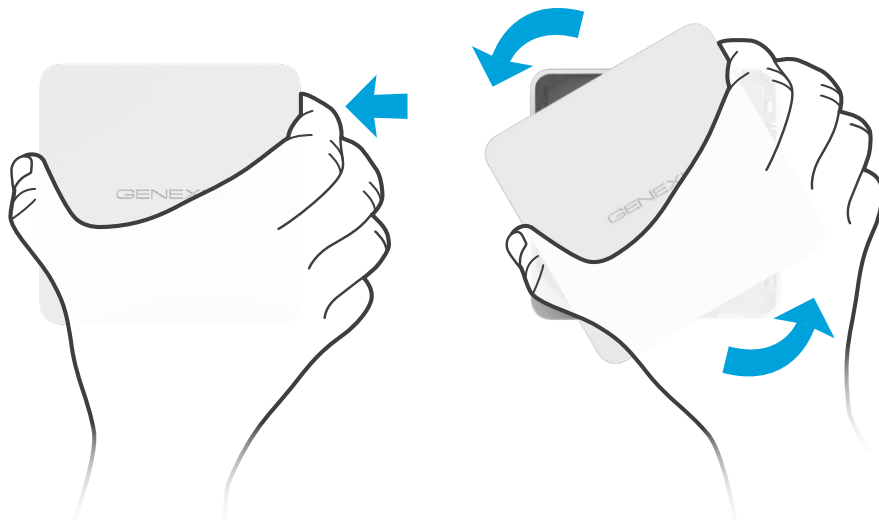
Preparation

Ensure there is a power socket within reach of where the device is being installed.

Important: Instructions need to be followed precisely and uninterrupted. This minimizes the risk of damage to the fiber optic connectors, causing a severe degradation of signal quality.

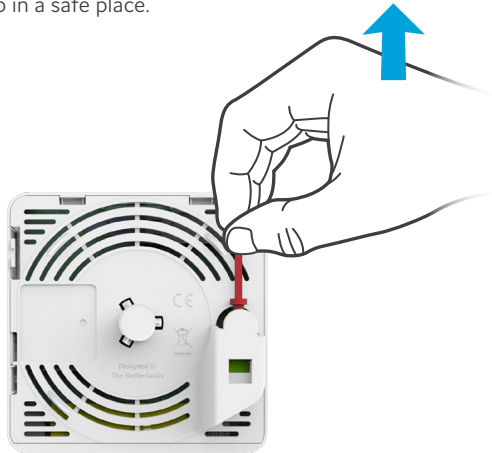
Remove Blind Cover (if present)

1. Press and hold the unlock button (see button overview).
2. Rotate the Blind Cover counterclockwise till it blocks.
3. Remove the Blind Cover from the baseplate (FTU) by pulling it towards yourself.
4. Store the Blind Cover in a safe place.



Remove dust cap

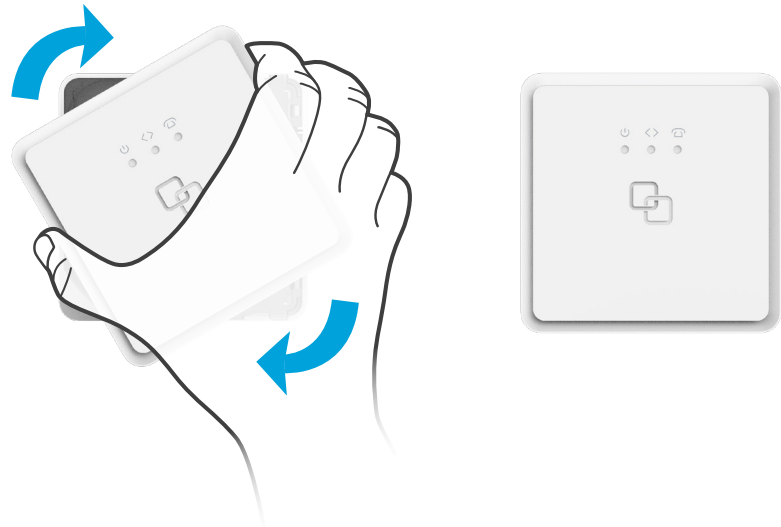
1. Take the FiberTwist out of the box.
2. The dust cap is connected to the red string located on the rear of the FiberTwist.
3. Remove the dust cap by pulling the red string.
4. Store the dust cap in a safe place.



Twist!

1. Place the FiberTwist on the FTU as shown in the picture below, in a 30-degree angle.
2. Rotate clockwise until it clicks into place.
3. Make sure the FiberTwist is aligned squarely on the FTU, each edge must line up directly with the FTU below.

Your FiberTwist is now installed!



Connecting the FiberTwist

1. If required, connect your telephone to the phone port via an RJ11 network cable.
2. If required, connect your personal devices to the LAN ports via an RJ45 network cable.
3. Connect the supplied power adapter to the FiberTwist and plug the adapter into a power socket.

If at some point in the future it becomes necessary to uninstall the FiberTwist, please place the Blind Cover back on the FTU immediately and put the dust cap back on the FiberTwist.

Warning: The FiberTwist is a Class 1 laser product.

EU Declaration of Conformity

Hereby, Genexis B.V. declares that the product FiberTwist-P2414 is in compliance with Directives 2014/30/EU, 2014/35/EU, 2011/65/EU, Delegated Directive 2015/863 and Ecodesign Directive 2009/125/EC.

The full text of the EU declaration of conformity is available at the following internet address: <https://genexis.eu/red/ft-P2414>

Company Name

Genexis B.V.

Signature of authorized person



Company Address

Lodewijkstraat 1a
5652 AC Eindhoven
The Netherlands

Name and title of authorized person

Maarten Egmond, CTO

Place of issue

Eindhoven
The Netherlands

Date of issue

2020-07-03

Revision 1.4 - June 2021- Copyright © 2021 Genexis Netherlands B.V. All rights reserved.

Genexis assumes no responsibility for any inaccuracies in this document. Genexis reserves the right to change, modify, transfer, or otherwise revise this publication without notice.