

## Features

- Wide Operating Wavelength Range
- Low Insertion Loss
- Ultra Flat Wide Passband
- High Channel Isolation
- High Stability and reliability
- Epoxy-free on Optical Path



## Applications

- Testing Instruments
- FTTH Tri-Play System



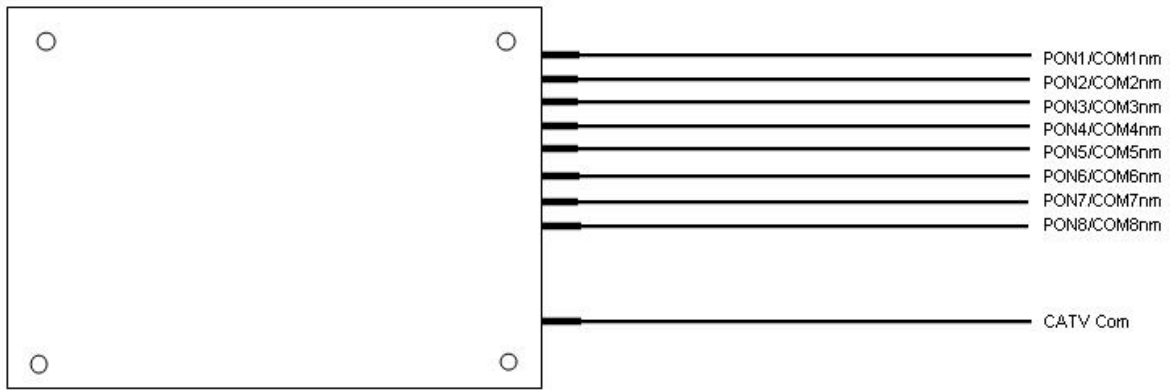
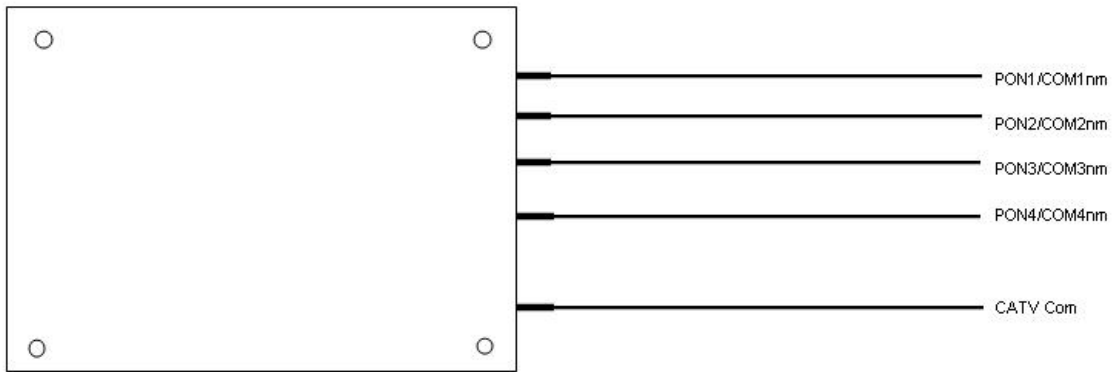
## Performance Specifications

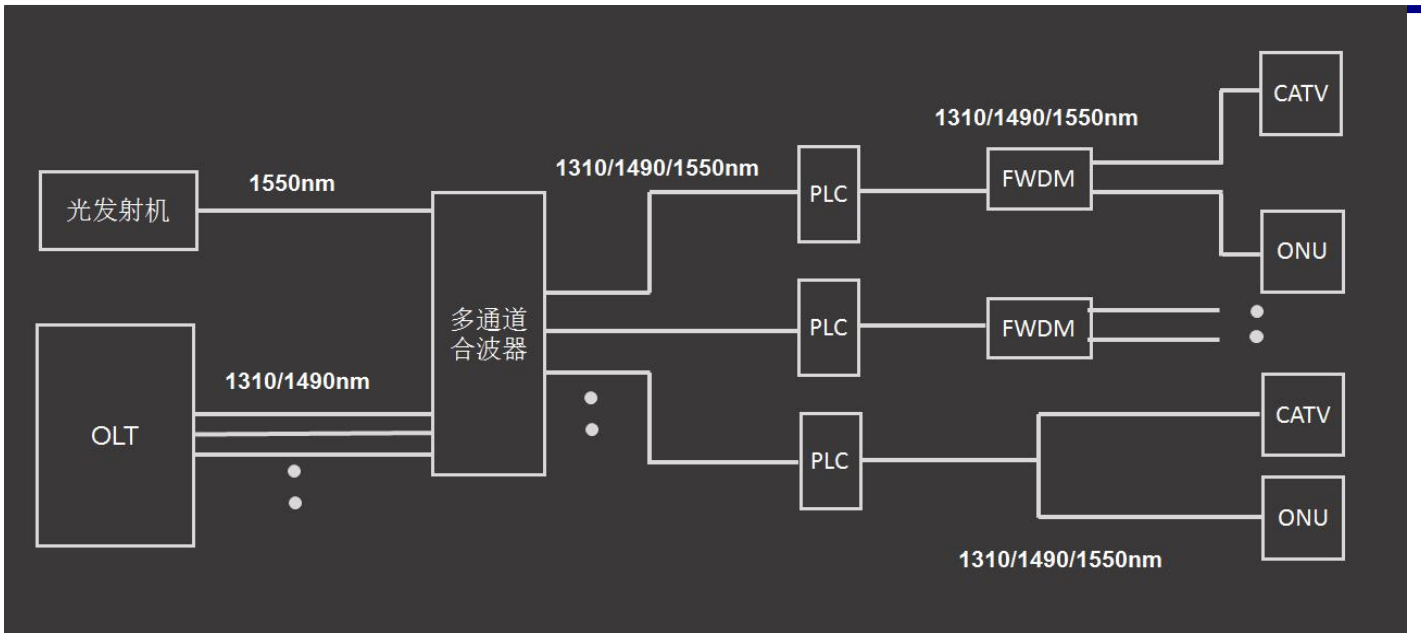
Parameter		4	8	16	32
CATV Wavelength Range (nm)		1540~1560			
PON Wavelength Range (nm)		1260~1360&1480~1500			
Insertion loss (dB)	CATV-COM	≤8	≤11.6	≤14.5	≤17.8
	COM-PON	≤0.6	≤0.6	≤0.6	≤0.6
Isolation	COM-CATV(@PON)	>30			
	COM-PON(@CATV)	>15			
Insertion Loss Temperature Sensitivity (dB/°C)		<0.005			
Polarization Dependent Loss (dB)		<0.1			
Polarization Mode Dispersion (ps)		<0.1			
Directivity (dB)		>50			
Return loss (dB)		>50			
Maximum Power Handling (mW)		300			
Operating Temperature (°C)		-20~+70			
Storage Temperature (°C)		-40~+85			
Package Dimension (mm)	For 4	100×80×10			
	For 8	120×80×18			
	For 16 32	140×114×18			
	For 4 8 16 32	19"1U			

Specifications may change without notice.

Above specification are for device without connector.

Dimension:





### Ordering Information

MWDM	X	X	X	X	XX
	Wavelength	Fiber Type	Fiber Length	Package Dimension	In/Out Connector
	5/34=1550 pass /1310&1490 reflect	1=4Channle 2=8Channle 3=16Channle	1=1m 2=2m 3=Other	1=100×80×10 2=120×80×18 3=141×114×18 4=19"1U	0=None 1=FC/APC 2=FC/PC 3=SC/APC 4=SC/PC 5=ST/PC 6=LC/PC 7=LC/APC S=Specify